

Panasonic Broadcast Mechanical PARTS LIST AJ-SD255PE/D255MC

Note:

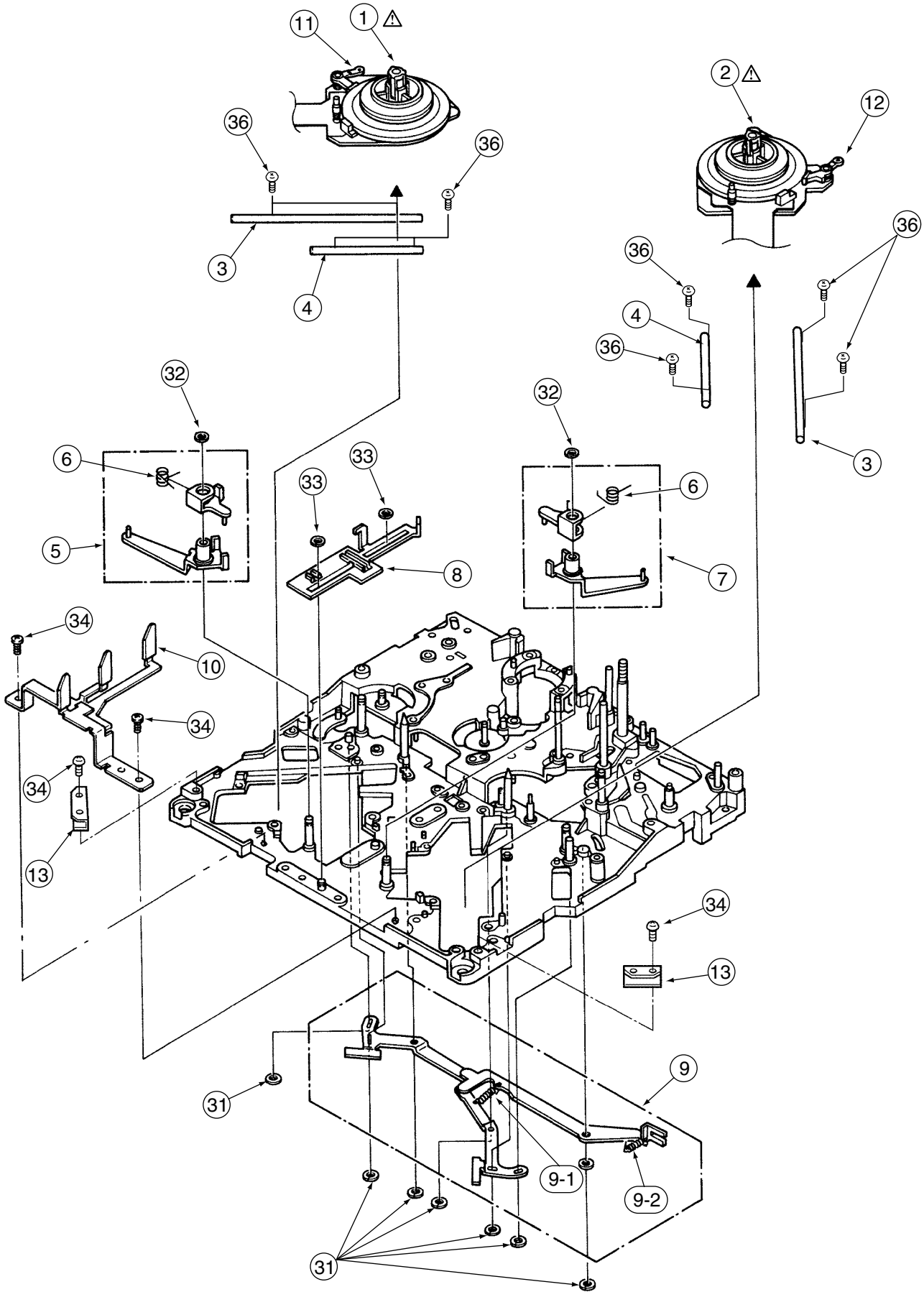
1. *Be sure to make your orders of replacement parts according to this list.
2. Unless otherwise specified, all resistors are in OHMS, K=1,000 OHMS, all capacitors are in MICROFARADS (μ F), P= μ μ F.
3. The P.C. Board untils marked with "■" shown below the main assembled parts.
4. The parts marked with $\text{\textcircled{E}}$ on the exploded view show the electric parts.
5. IMPORTANT SAFETY NOTICE
Components identified with the mark Δ have the special characteristics for safety. When replacing any of these components, use only the same type.
6. The marking (RTL) indicates the retention time is limited for this item.
After the diacontinuation of this assembly in production, it will no longer be available.

CONTENTS

Mechanical Chassis Assembly(1).....	MPL-2
Mechanical Chassis Assembly(2).....	MPL-4
Sub Chassis Assembly.....	MPL-6
Front Loading Assembly.....	MPL-8
Casing Assembly.....	MPL-10
Front Jack Assembly.....	MPL-12
Chassis & Frame Assembly.....	MPL-14
Packing Parts Assembly.....	MPL-16
Eectrical Replacement Parts List.....	MPL-16

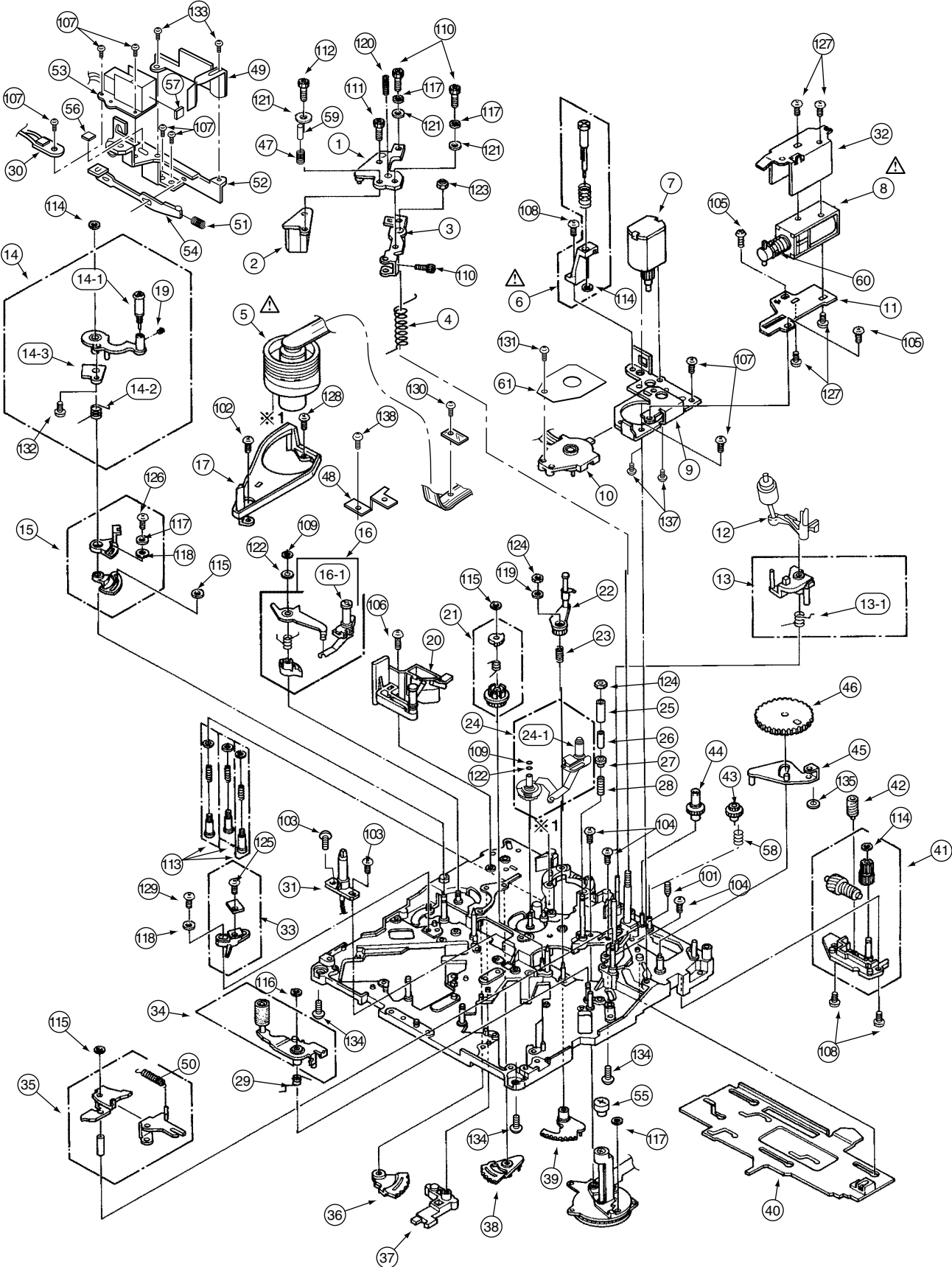
MECHANICAL CHASSIS ASSEMBLY (1)

Components identified with the mark Δ have the special characteristics for safety. When replacing any of these components, use only the same type.

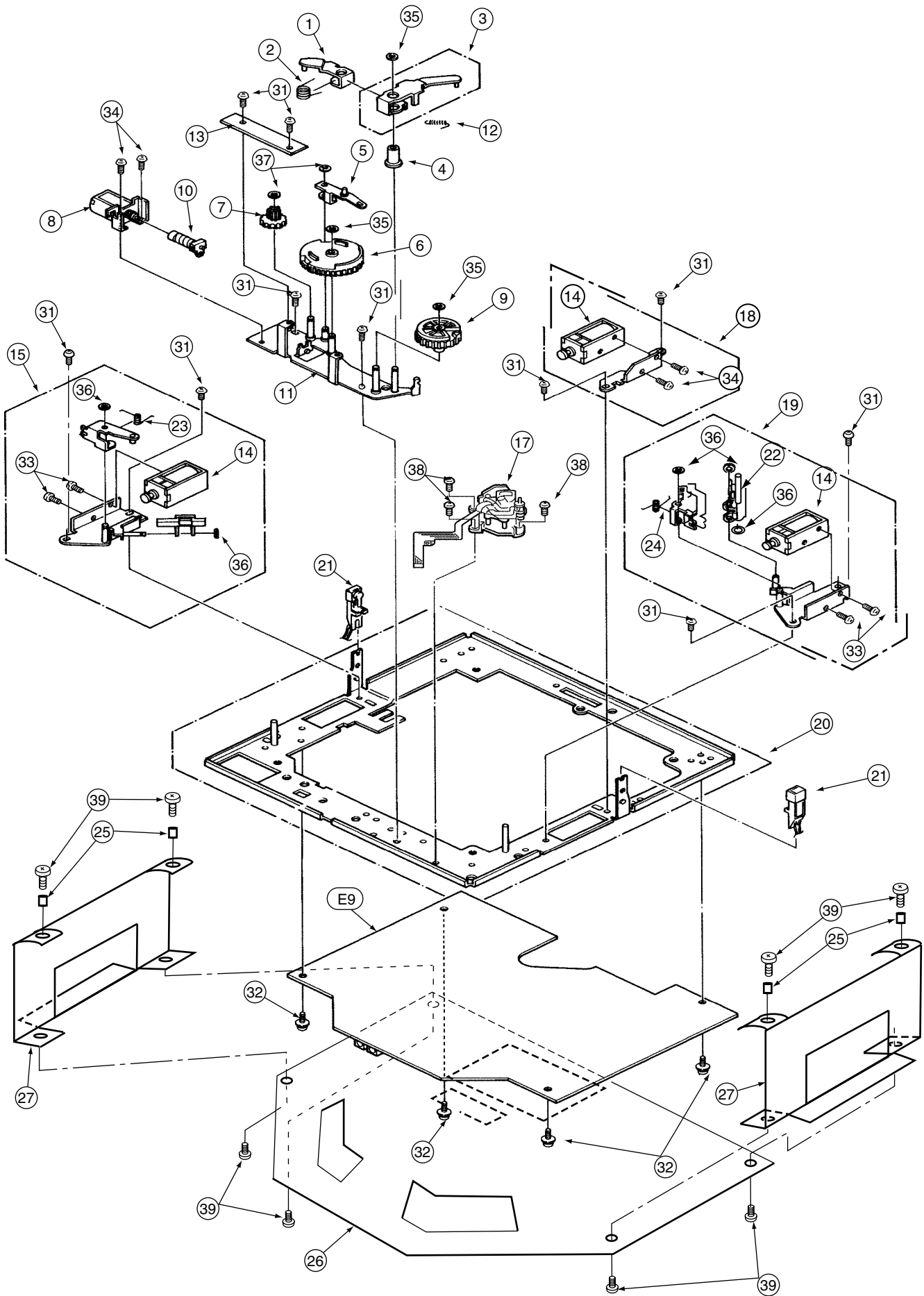


MECHANICAL CHASSIS ASSEMBLY (2)

Components identified with the mark Δ have the special characteristics for safety. When replacing any of these components, use only the same type.

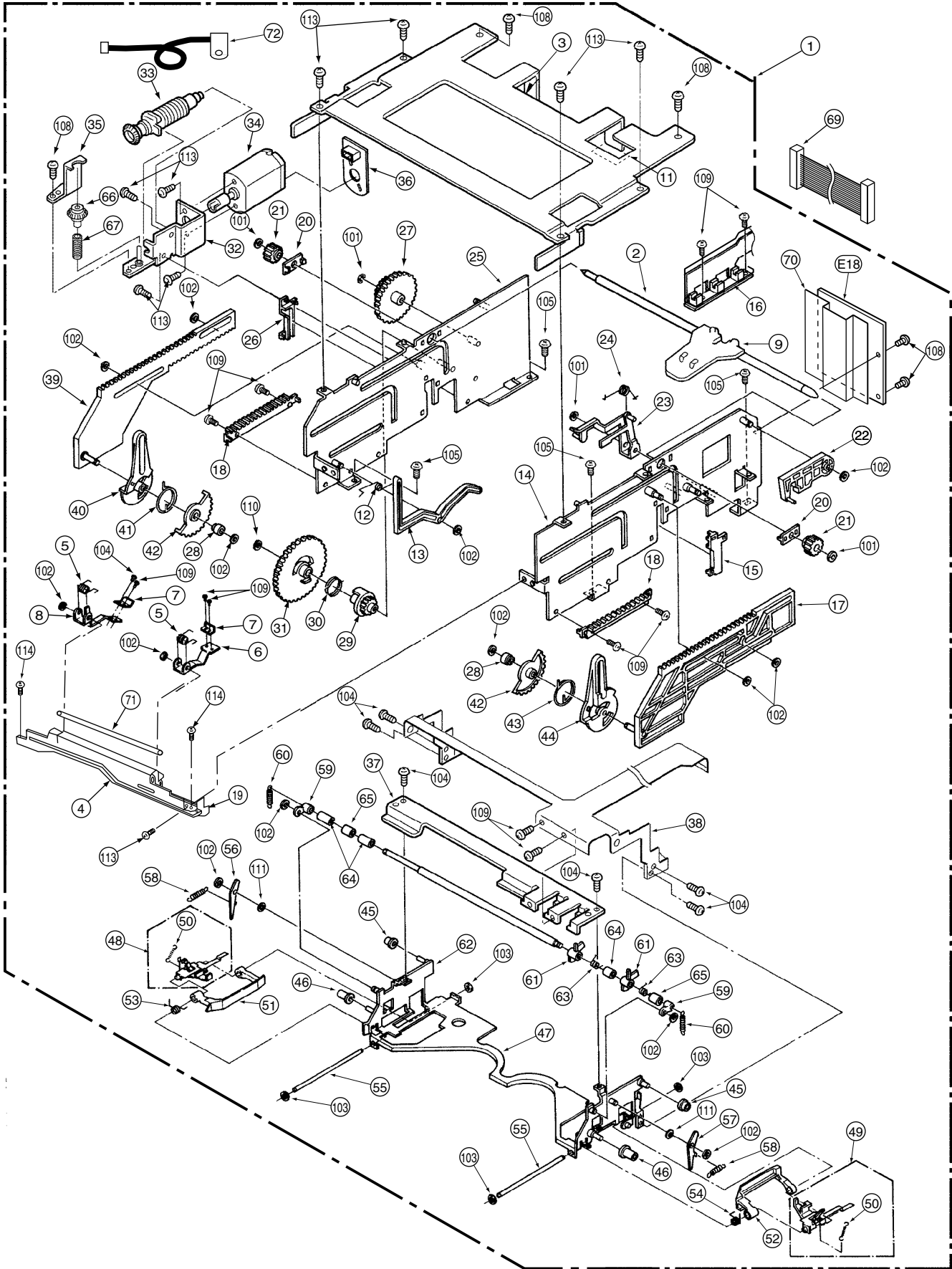


SUB CHASSIS ASSEMBLY



MPL-6

CASSETTE COMPARTMENT ASSEMBLY

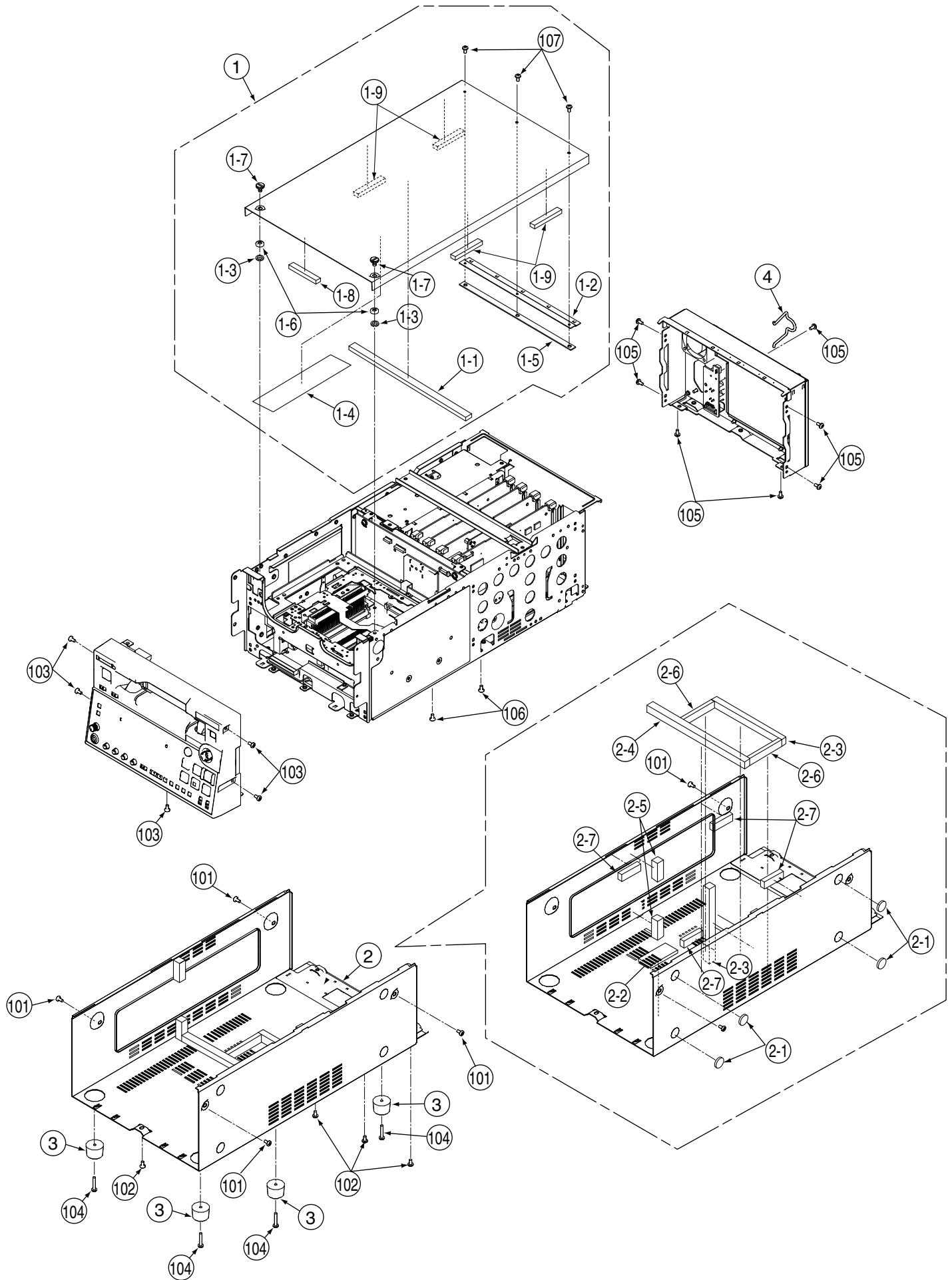


MPL-8

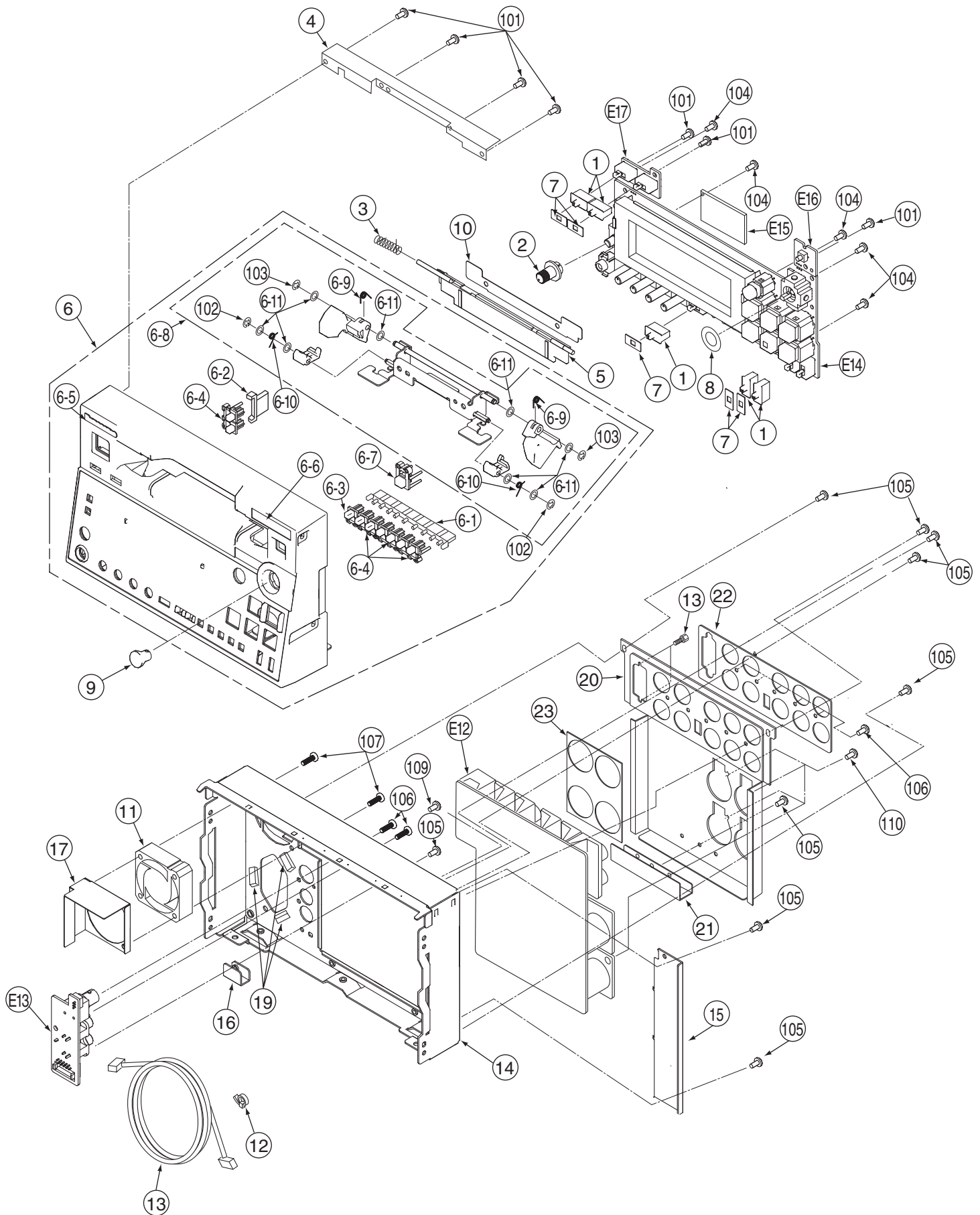
CASSETTE COMPARTMENT ASSEMBLY

Ref.No.	Part No.	Part Name & Description	Pcs	Remarks	Ref.No.	Part No.	Part Name & Description	Pcs	Remarks
1	VXA7347	FRONT LOADING ASS'Y	1 (M)		102	VMX0967	CUT WASHER	14	
2	VMS5865	MAIN SHAFT	1		103	VMX1061	WASHER	4	
3	VMA0T36	TOP PLATE	1		104	XQN16+A2FJ	SCREW	7	
4	VMAOM72	FRONT GUIDE 1 ASS'Y	1		105	XYN2+C4FJ	SCREW	4	
5	VMB3075	M GUIDE SPRING	2		108	XQN2+A3FJ	SCREW	5	
6	VML3191	M GUIDE RIGHT LEVER	1		109	LMHD16064	SCREW	11	
7	VML3192	M FRONT GUIDE	2		110	XUC25FP	E-RING	1	
8	VML3190	M GUIDE LEFT LEVER	1		111	XWGV2Z5G	WASHER	2	
9	VML3397	CASSETTE PROTECT PLATE	1		113	VHD1323	SCREW	9	
11	VMZ3233	FPC PROTECTOR	1		114	XYN2+J4FJ	SCREW	2	
12	VMB2926	SPRING	1						
13	VML2A50	BLINDER PANEL OPENER	1						
14	VXA7355	SIDE PLATE R 1 ASS'Y	1		E18	VEP80856A	CARRIGE P. C. BOARD	1	
15	VML3282	SUB RAIL (R)	1						
16	VEK7695	SIDE FLEXIBLE	1						
17	VXA5766	MAIN RACK R ASS'Y	1						
18	VDG1156	WIPER RACK	2						
19	VMZ3259	FPC COVER	1						
20	VDB1395	MAIN SHAFT ANGLE	2						
21	VDG1412	INTERLOCK GEAR	2						
22	VML3193	OPENER DRIVE ARM	1						
23	VXL2692	OPENER ANGLE ASS'Y	1						
24	VMB2979	SPRING	1						
25	VXA7353	SIDE PLATE L 1 ASS'Y	1						
26	VML3281	SUB RAIL (L)	1						
27	VDG1413	INTERMEDIATE GEAR	1						
28	VDP1643	WIPER ROLLER	2						
29	VDG1414	CLUTCH GEAR	1						
30	VMB2980	CLUTCH SPRING	1						
31	VDG1236	WORM WHEEL	1						
32	VXA5848	MOTOR ANGLE (A) ASS'Y	1						
33	VXP1797	E. E SLOT IN WORM ASS'Y	1						
34	VXA5597	MOTOR ASS'Y	1 (M)						
35	VMA9673	EMERGENCY ANGLE	1						
36	VEK7793	MOTOR P. C. BOARD	1						
37	VMA9668	HOLDER PLATE	1						
38	VEK7715	HOLDER FLEXIBLE ASS'Y	1						
39	VXA6075	MAIN RACK (L) ASS'Y	1						
40	VML3485	WIPER ARM (R)	1						
41	VMB3390	WIPER SPRING (L)	1						
42	VDG1163	WIPER GEAR	2						
43	VMB3391	WIPER ARM (L)	1						
44	VML3484	WIPER SPRING (R)	1						
45	VDP1642	CASSETTE GUIDE ROLLER (2)	2						
46	VDP1641	CASSETTE GUIDE ROLLER (1)	2						
47	VXA5757	CASSETTE HOLDER 1 ASS'Y	1						
48	VXA5758	ROD L	1						
49	VXA5759	ROD R	1						
50	VMB3064	SLIDE SPRING	2						
51	VML3249	SIDE GUIDE L	1						
52	VML3250	SIDE GUIDE R	1						
53	VMB3061	SLIDE GUIDE SPRING L	1						
54	VMB3062	SLIDE GUIDE SPRING R	1						
55	VMS6108	KICK OFF ROD SHAFT	2						
56	VML2A54	KICK OFF ARM L	1						
57	VML2A55	KICK OFF ARM R	1						
58	VMB2928	KICK OFF SPRING	2						
59	VML2A53	CASSETTE HOLDER ARM	2						
60	VMB2927	CASSETTE HOLDER SPRING	2						
61	VMX2833	M-L DETECT ROLLER	2						
62	VMS5882	CASSETTE HOLDER SHAFT	1						
63	VMB3253	M-L DETECT SPRING	2						
64	VMX2559	CASSETTE PRESSURE ROLLER(2)	3						
65	VMX2524	CASSETTE PRESSURE ROLLER(1)	2						
66	VDG1246	EMERGENCY GEAR	1						
67	VMB3109	EMERGENCY SPRING	1						
69	VEE9577	CABLE	1						
70	VMZ3040	SHIELD PLATE	1						
71	VMS7087	GUIDE LEVER PIN	1						
72	VEE9632	MOTOR CABLE	1						
101	VMX0653	CUT WASHER	4						


CASING ASSEMBLY

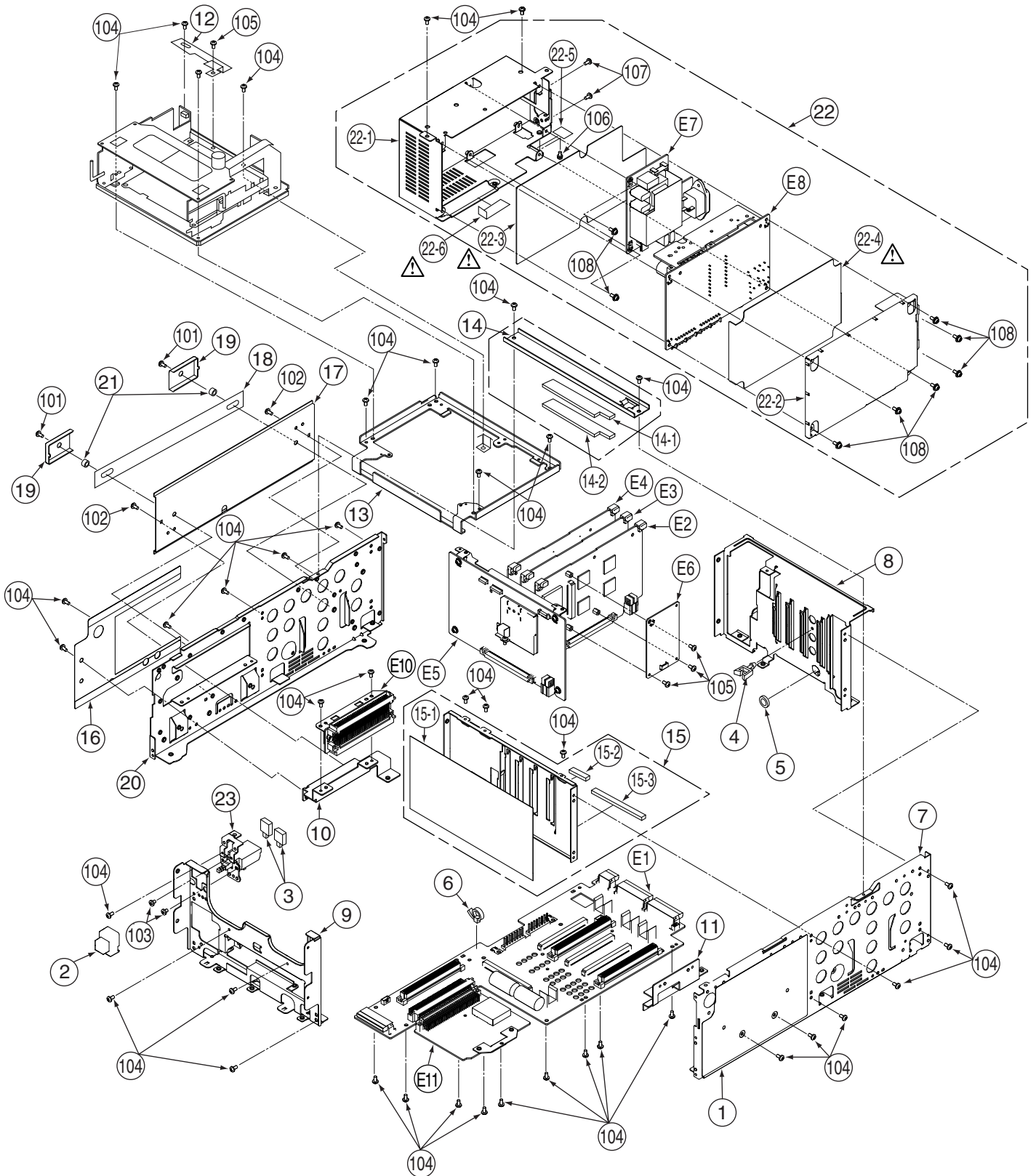


FRONT JACK ASSEMBLY



SHASSIS & FRAME ASSEMBLY

IMPORTANT SAFETY NOTICE:
COMPONENTS IDENTIFIED WITH THE MARK  HAVE THE SPECIAL CHARACTERISTICS
FOR SAFETY.
WHEN REPLACING ANY OF THESE COMPONENTS, USE ONLY THE SAME TYPE.



PACKING PARTS ASSEMBLY

IMPORTANT SAFETY NOTICE:
COMPONENTS IDENTIFIED WITH THE MARK \triangle HAVE THE SPECIAL CHARACTERISTICS
FOR SAFETY.
WHEN REPLACING ANY OF THESE COMPONENTS, USE ONLY THE SAME TYPE.

